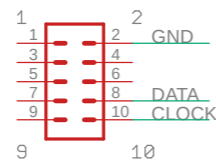
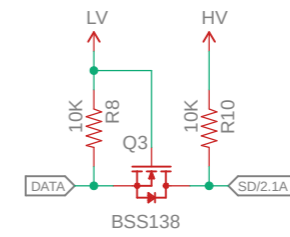
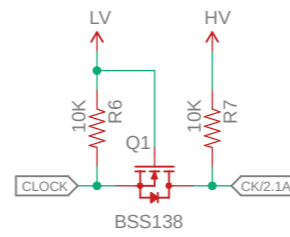
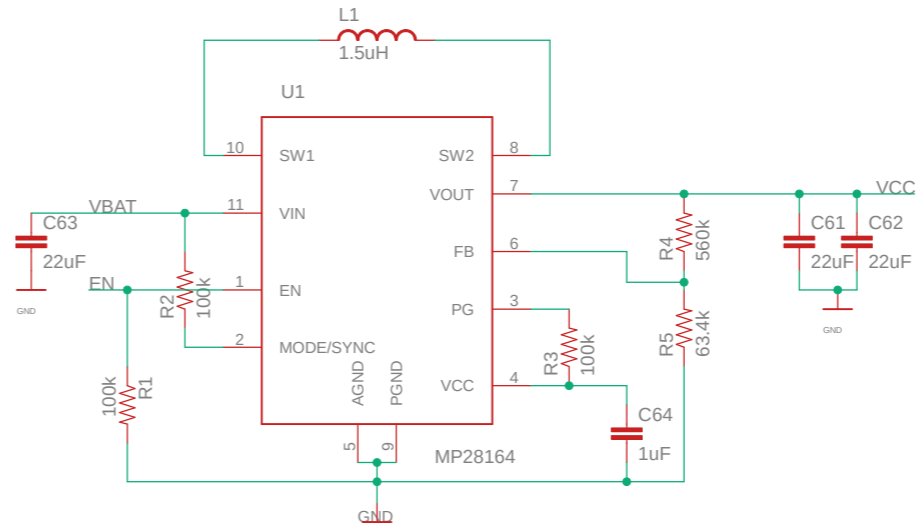


PIN #	ESP32 I/O	Arduino	Function
1	5V		
3	GPI38	38 (Input Only)	
5	GPI025	I2C_SCL	
7	GPI012	12	
9	GPI027	27	

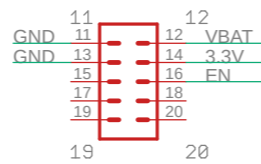
PIN #	ESP32 I/O	Arduino	Function
2	GND		Ground
4	GPI032	32	
6	GPI015	I2C_SDA	
8	GPI013	13	LED DATA
10	GPI014	14	LED CLOCK

PIN #	SX1509 IO	Arduino	Function
11	GND		Ground
13	GND		Ground
15	I010	EXTENDER_PIN<10>	
17	I012	EXTENDER_PIN<12>	
19	I014	EXTENDER_PIN<14>	

PIN #	SX1509 IO	Arduino	Function
12	VBAT		VBAT
14	3.3V		3.3 Ref. Voltage
16	I011	EXTENDER_PIN<11>	DC-DC Enable
18	I013	EXTENDER_PIN<13>	
20	I015	EXTENDER_PIN<15>	



WIPHONE_DAUGHTERBOARD



INFO:

RGB_shield_v2.1

3/14/2020 12:36 PM

Sheet: 1/2

