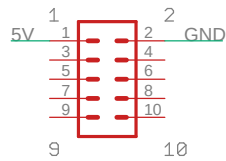


PIN #	ESP32 I/O	Arduino	Function
1	5V		
3	GPIO38	38 (Input Only)	5V IN to Mainboard.
5	GPIO25	I2C_SCL	
7	GPIO12	12	
9	GPIO27	27	

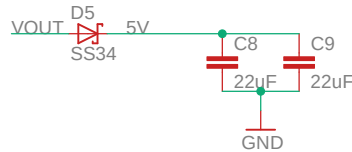
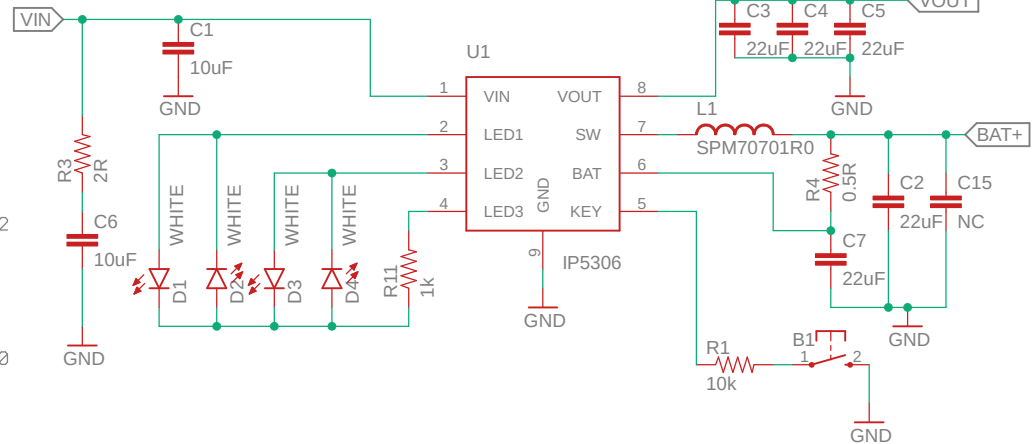
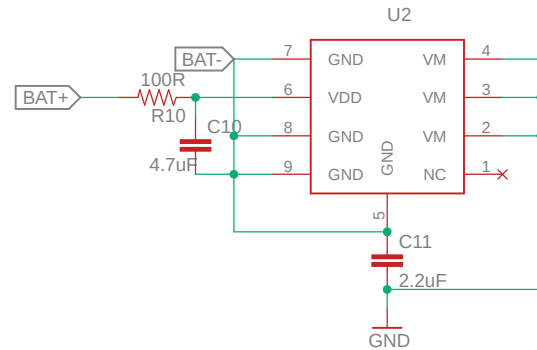
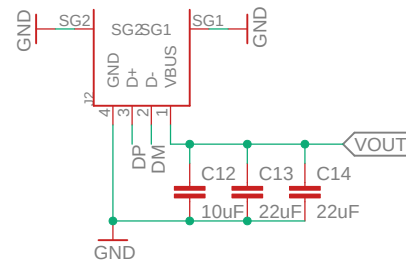
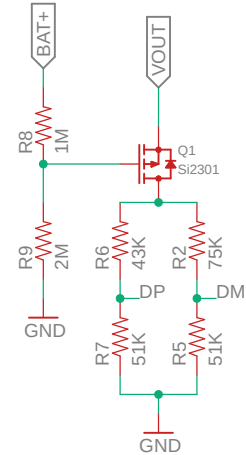
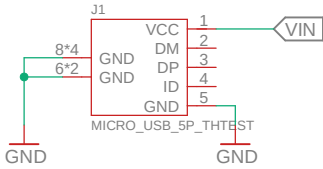
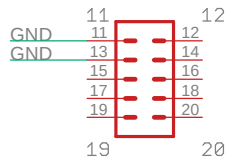
PIN #	ESP32 I/O	Arduino	Function
2	GND		
4	GPIO32	32	GND
6	GPIO15	I2C_SDA	
8	GPIO13	13	
10	GPIO14	14	

PIN #	SX1509 IO	Arduino	Function
11	GND		GND
13	GND		GND
15	IO10	EXTENDER_PIN<10>	
17	IO12	EXTENDER_PIN<12>	
19	IO14	EXTENDER_PIN<14>	

PIN #	SX1509 IO	Arduino	Function
12	VBAT		
14	3.3V		
16	IO11	EXTENDER_PIN<11>	
18	IO13	EXTENDER_PIN<13>	
20	IO15	EXTENDER_PIN<15>	



WIPHONE_DAUGHTERBOARD



INFO:	MegaBatteryPack-v2.2
	2020-08-31 3:32 PM
	Sheet: 1/1