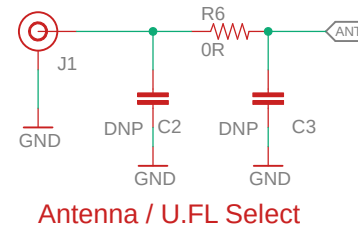
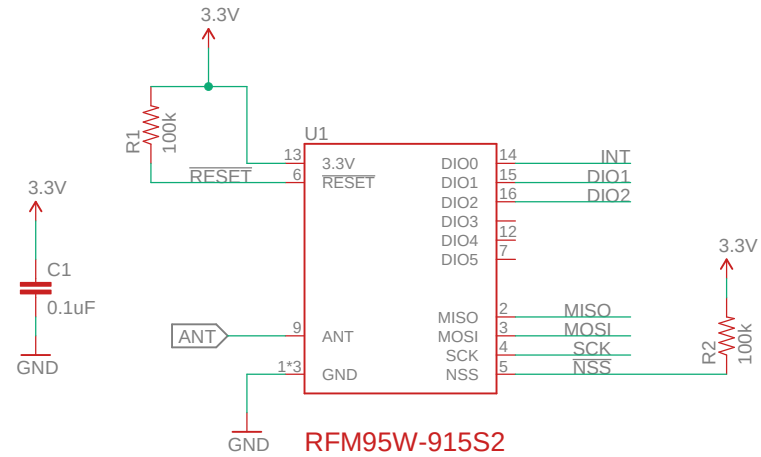
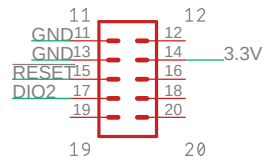
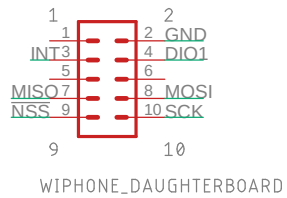


PIN #	ESP32 I/O	Arduino	Function
1	5V		
3	GPI38	38 (Input Only)	Interrupt
5	GPI025	I2C_SCL	
7	GPI012	12	MISO
9	GPI027	27	NSS

PIN #	ESP32 I/O	Arduino	Function
2	GND		
4	GPI032	32	DIO1
6	GPI015	I2C_SDA	
8	GPI013	13	MOSI
10	GPI014	14	SCK

PIN #	SX1509 IO	Arduino	Function
11	GND		
13	GND		
15	I010	EXTENDER_PIN(10)	RESET
17	I012	EXTENDER_PIN(12)	DIO2
19	I014	EXTENDER_PIN(14)	

PIN #	SX1509 IO	Arduino	Function
12	VBAT		
14	3.3V		
16	I011	EXTENDER_PIN(11)	
18	I013	EXTENDER_PIN(13)	
20	I015	EXTENDER_PIN(15)	



INFO:	
	LoRa_DB-v2.1
	2020-08-24 10:04 AM
	Sheet: 1/1