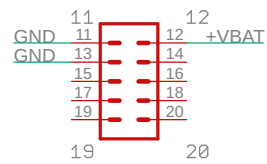
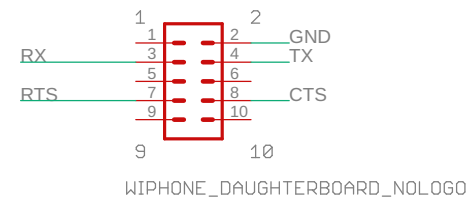
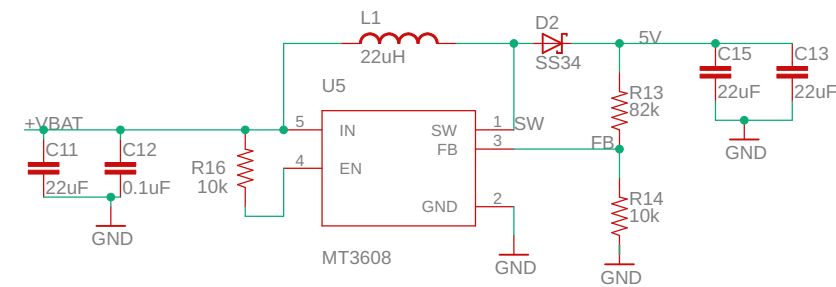
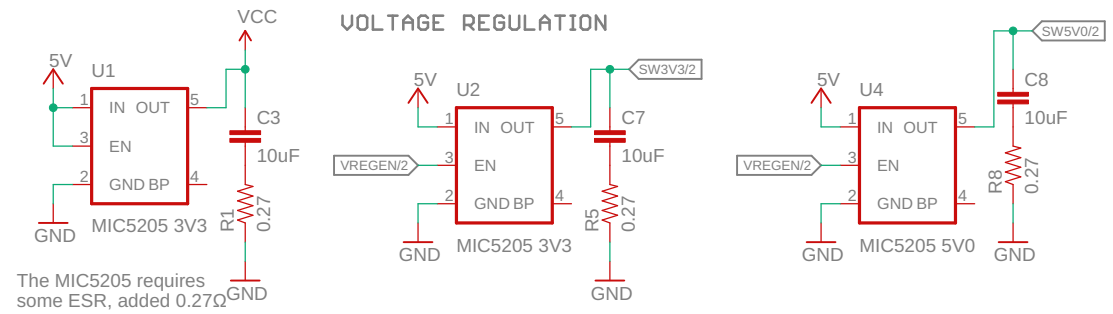


| PIN # | ESP32 I/O | Arduino | Function |
|-------|-----------|-----------------|--------------------|
| 1 | 5U | | |
| 3 | GPI38 | 38 (Input Only) | Mainboard RX |
| 5 | GPI025 | I2C_SCL | |
| 7 | GPI012 | 12 | RTS from Mainboard |
| 9 | GPI027 | 27 | |

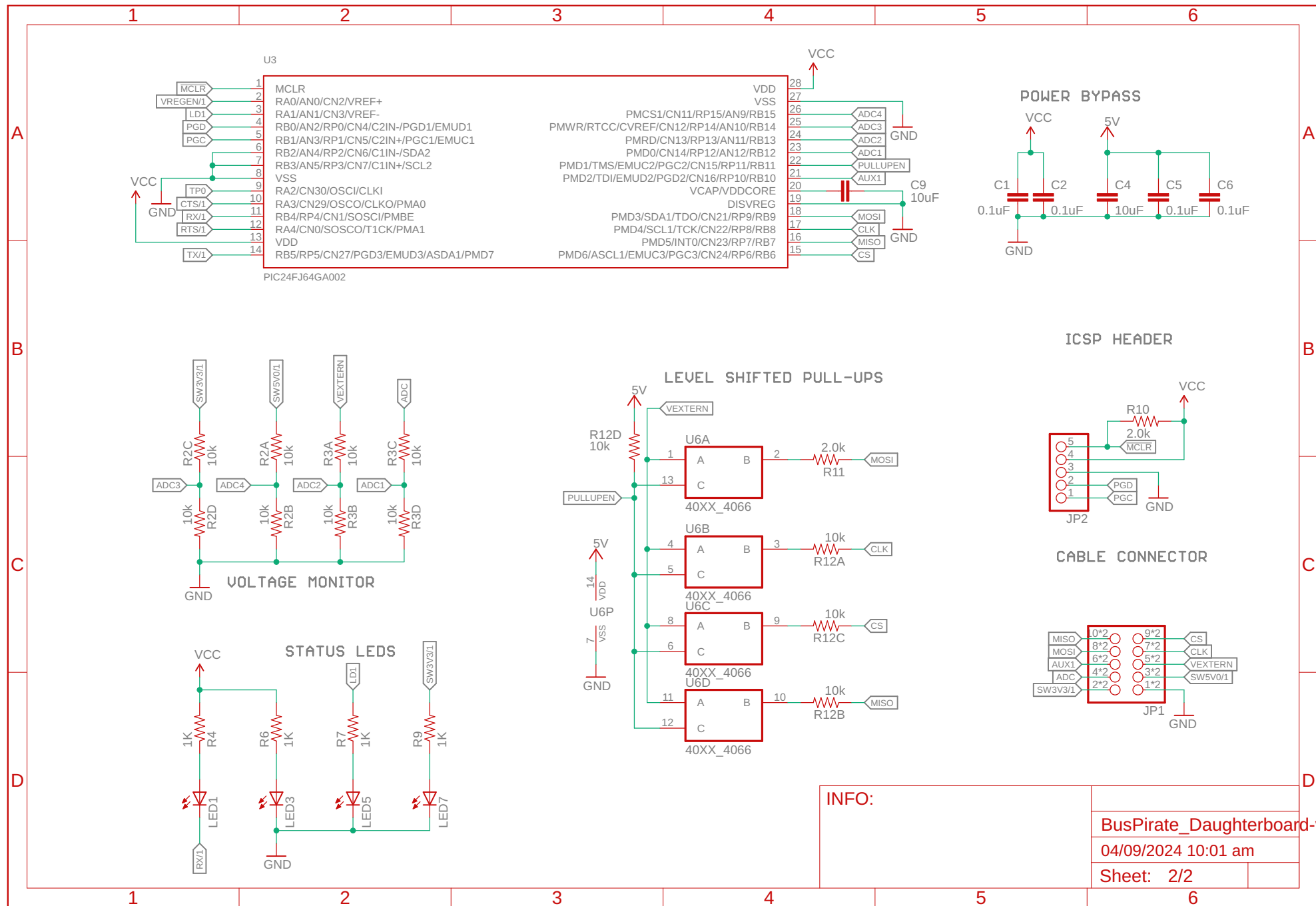
| PIN # | ESP32 I/O | Arduino | Function |
|-------|-----------|---------|--------------------|
| 2 | GND | | |
| 4 | GPI032 | 32 | Mainboard TX |
| 6 | GPI015 | I2C_SDA | |
| 8 | GPI013 | 13 | CTS from Mainboard |
| 10 | GPI014 | 14 | |

| PIN # | SX1509 IO | Arduino | Function |
|-------|-----------|------------------|----------|
| 11 | GND | | GND |
| 13 | GND | | GND |
| 15 | I010 | EXTENDER_PIN(10) | |
| 17 | I012 | EXTENDER_PIN(12) | |
| 19 | I014 | EXTENDER_PIN(14) | |

| PIN # | SX1509 IO | Arduino | Function |
|-------|-----------|------------------|----------|
| 12 | UBAT | | |
| 14 | 3.3V | | |
| 16 | I011 | EXTENDER_PIN(11) | |
| 18 | I013 | EXTENDER_PIN(13) | |
| 20 | I015 | EXTENDER_PIN(15) | |



| | |
|-------|------------------------------|
| INFO: | |
| | BusPirate_Daughterboard-v1.1 |
| | 04/09/2024 10:01 am |
| | Sheet: 1/2 |



BusPirate_Daughterboard-v1.1

04/09/2024 10:01 am

Sheet: 2/2